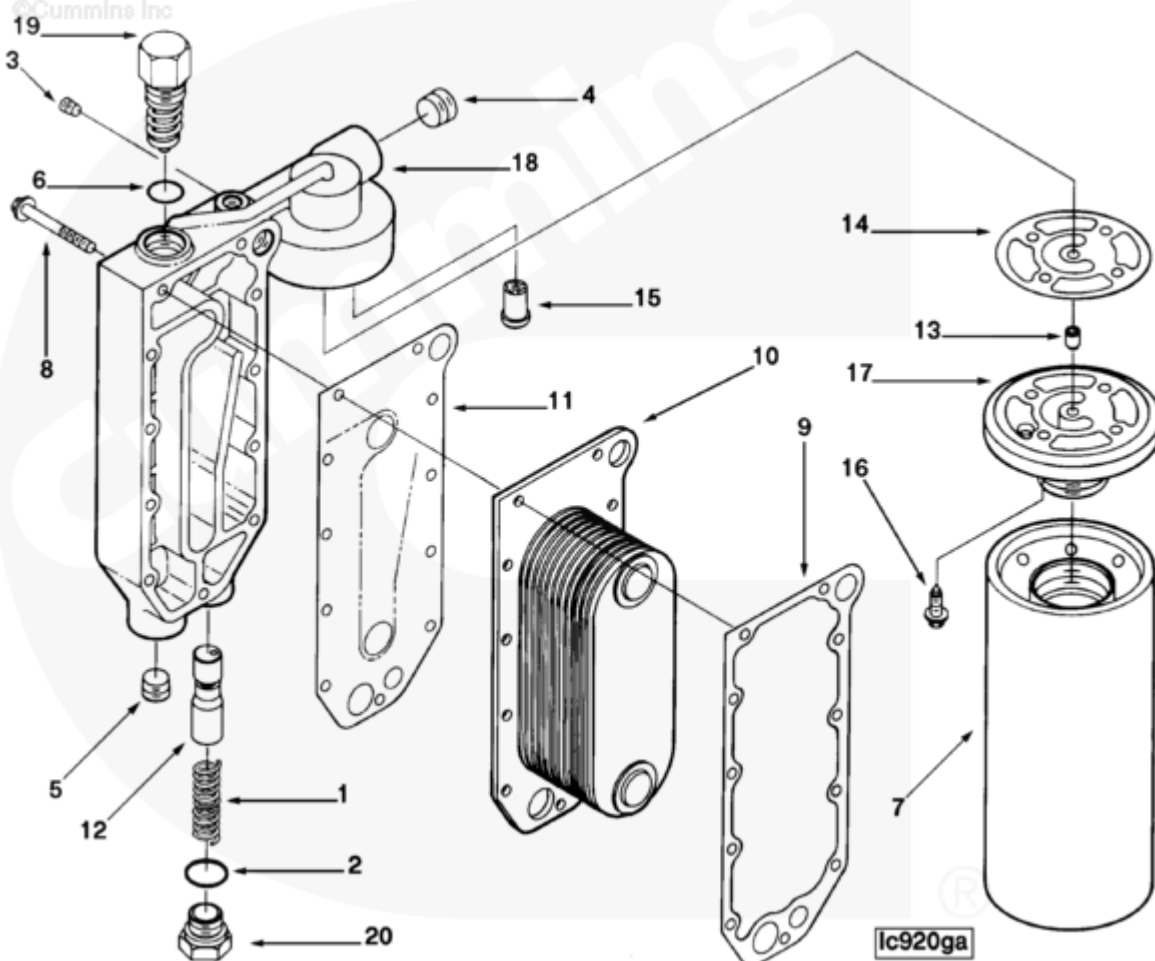




Parts Catalog - Option Detail

Electronic Parts Catalog - Option Detail				
Option	Group	Graphic	Film Card	Date
LC9028	07.05	lc920ga	Z	14-OCT-96
Engines	6C8.3, C GAS PLUS CM556, G8.3, G8.3 CM558, GTA8.3 CM558, ISC CM2150, ISC CM554, ISC CM850, ISC8.3 CM2250, ISC8.3 G CM2180 C101, ISL CM2150, ISL CM554, ISL CM850, ISL G CM2180, ISL8.9 CM2150 L110, ISL8.9 CM2880 L112, ISL9 CM2150 SN, ISL9 CM2250, ISL9 CM2350 L101, ISL9 CM2350 L111, ISLE4 CM850, L GAS PLUS CM556, L8.9, L8.9 L121, L8.9G CMOH2.0 L125B, L9 CM2350 L116B, L9 CM2350 L119B, L9 CM2350 L120C, L9 CM2350 L123B, L9.3 L105, L9.5 L117, L9N CM2380 L124B, QSC8.3 CM2250, QSC8.3 CM2880 C102, QSC8.3 CM554, QSC8.3 CM850(CM2850), QSL9 CM2250, QSL9 CM2250 L115, QSL9 CM2350 L102, QSL9 CM2350 L107, QSL9 CM2350 L118, QSL9 CM2350 L122, QSL9 CM554, QSL9 CM850(CM2850), QSL9 G CM558, QSL9 M CM2250 L106, QSL9.3 CM2880 L113			



[SMALL](#) | [MEDIUM](#) | [LARGE](#)

Cart	Ref No	Part Number	Part Description	Required	Remarks
<input type="button" value="View My Cart"/>					
		LC9028	Engine Oil Cooler		Engine Oil Cooler...(More)
					Structure Code: 02 EBM

					Cylinders: 6
					Cooler Type: Plate
					Mounting Position/Location:
					Vertical
					Filter Material: Cellulose
					Unique Characteristics:
					W/full flow bypass filter
					Filter Head Thickness:
					43.50mm
					Engine Families: C Series
					Restricted Aspiration:
					Charged Air Cooled
					Jacket Water Aftercooled
					Sea Water Aftercooled
					Turbocharged Pressure
					Pressure Relief set 65 PSI
<input type="checkbox"/>	1	68274	Compression Spring	1	
<input type="checkbox"/>	2	145508	O-Ring Seal	1	
<input type="checkbox"/>	3	3906619	Pipe Plug	2	1/8 NPT.
<input type="checkbox"/>	4	3008469	Pipe Plug	1	3/4 NPT
<input type="checkbox"/>	5	3027232	Pipe Plug	1	1/2 NPT
<input type="checkbox"/>	6	3201562	O-Ring Seal	1	
<input type="checkbox"/>	7	3318853	Lubricating Oil Filter Element	1	Buy from Cummins Filtration
<input type="checkbox"/>	8	3916073	Hexagon Flange Head Cap Screw	11	M8 x 1.25 x 65
<input type="checkbox"/>	9	3918174	Oil Cooler Core Gasket	1	
<input type="checkbox"/>	10	3918175	Cooler Core	1	
<input type="checkbox"/>	11	3929011	Lubricating Oil Cooler Cover Gasket	1	
<input type="checkbox"/>	12	3918532	Pressure Regulator Plunger	1	

<input type="checkbox"/>		3919014	Lubricating Oil Filter Head	1	
<input type="checkbox"/>	13	118227	Ring Dowel	1	
<input type="checkbox"/>	14	3921605	Filter Head Gasket	1	
<input type="checkbox"/>	15	3927622	Bypass Valve	1	
<input type="checkbox"/>	16	3907860	Hexagon Flange Head Cap Screw	4	M8 x 1.25 x 25
<input type="checkbox"/>	17	3918334	Lubricating Oil Filter Head	1	
	18	3922882	Lubricating Oil Cooler Cover	1	
<input type="checkbox"/>	19	3923477	Thermostat	1	
<input type="checkbox"/>	20	3919016	Threaded Plug	1	

© 2019 Cummins Inc., Box 3005, Columbus, IN 47202-3005 U.S.A.
Terms of Use and Disclaimers | Recommended System Requirements
Need Assistance? Please click on the Contact Us button in the top right corner of any page.